

**"E" SERIES CONDUIT BODIES**  
**ALUMINUM - SET SCREW TYPE FOR EMT**



**Aluminum Conduit Bodies Applications**

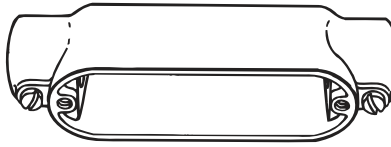
- For use with EMT conduit in dry locations
- Use conduit bodies for making turns in conduit systems, connecting conduit sections, as pull outlets, and to provide openings for maintenance and making taps and splices to conductors

**Aluminum Conduit Bodies Product Features**

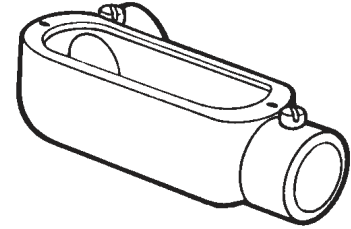
- Flat back design for easy mounting close to walls
- Cast of high strength, corrosion and weather resistant aluminum alloy with painted finish
- May be used on aluminum or steel conduit
- Lightweight, makes installation simple

**Compliances**

- - Standard 514B
- - C22.2 #18



**TYPE C**



**TYPE LL**

**ORDERING INFORMATION - DIMENSIONS**

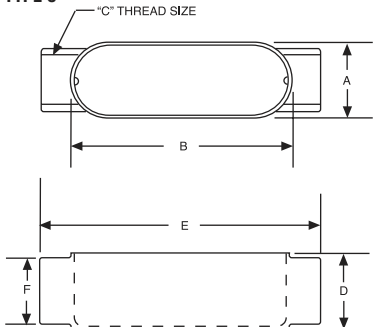
TYPE C				
CATALOG NUMBER	TRADE SIZE	UNITY CTN. QTY.	SHIP CTN. QTY.	UPC BAR CODE
EBC-1	1/2"	10	100	—
EBC-2	3/4"	10	50	—
EBC-3	1"	6	24	—
EBC-4	1-1/4"	2	8	—
EBC-5	1-1/2"	2	8	—
EBC-6	2"	1	5	—

DIMENSIONS - TYPE C						
CONDUIT SIZE	A	B	C	D	E	F
1/2"	1-5/16"	3-7/8"	1/2"	1-7/16"	4-29/32"	1-1/16"
3/4"	1-1/2"	4-5/8"	3/4"	1-11/16"	5-1/2"	1-11/32"
1"	1-3/4"	5-3/8"	1"	1-15/16"	6-7/16"	1-21/32"
1-1/4"	2-1/2"	6-5/8"	1-1/4"	2-7/8"	8-7/16"	2-1/4"
1-1/2"	2-1/2"	6-5/8"	1-1/2"	2-7/8"	8-7/16"	2-1/4"
2"	3-1/8"	8-1/2"	2"	3-7/16"	10-3/4"	2-15/16"

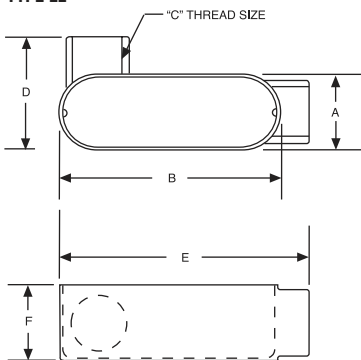
TYPE LL				
CATALOG NUMBER	TRADE SIZE	UNITY CTN. QTY.	SHIP CTN. QTY.	UPC BAR CODE
EBLL-1	1/2"	10	100	—
EBLL-2	3/4"	10	50	—
EBLL-3	1"	6	24	—
EBLL-4	1-1/4"	2	8	—
EBLL-5	1-1/2"	2	8	—
EBLL-6	2"	1	5	—

DIMENSIONS - TYPE LL						
CONDUIT SIZE	A	B	C	D	E	F
1/2"	1-5/16"	3-7/8"	1/2"	2-3/64"	4-3/8"	1-7/16"
3/4"	1-1/2"	4-5/8"	3/4"	2-15/16"	5-1/8"	1-11/16"
1"	1-3/4"	5-3/8"	1"	2-21/32"	5-15/16"	1-15/16"
1-1/4"	2-1/2"	6-5/8"	1-1/4"	3-15/32"	6-7/8"	2-7/8"
1-1/2"	2-1/2"	6-5/8"	1-1/2"	3-15/32"	6-7/8"	2-7/8"
2"	3-1/8"	8-1/2"	2"	3-7/8"	9-7/32"	3-7/16"

**TYPE C**



**TYPE LL**



WEATHERPROOF BOXES, COVERS AND LIGHTING

